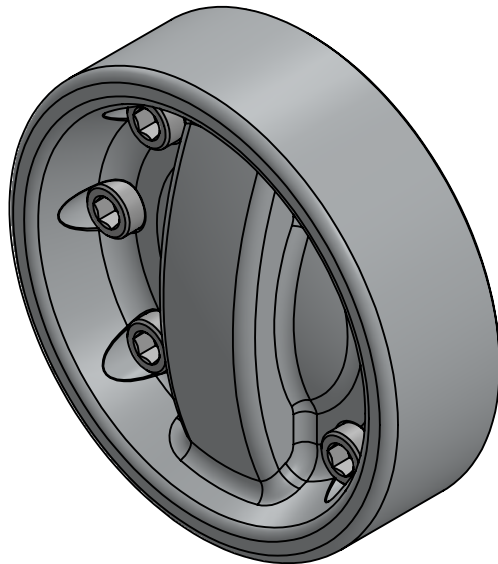
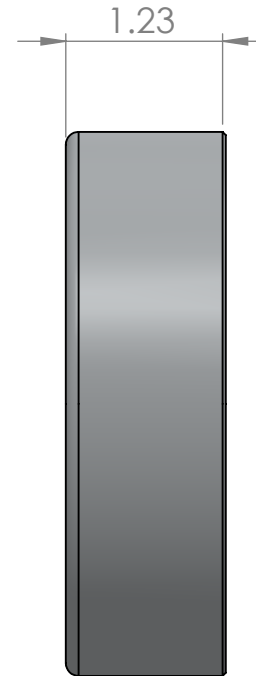
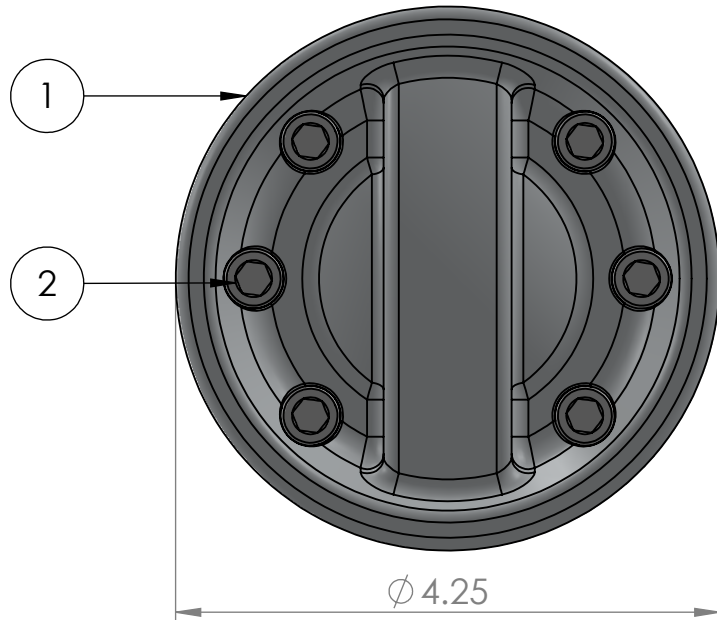



ITEM NO.	PART NUMBER	DESCRIPTION	QTY.
1	9022-001-U	GAS CAP	1
2	92196A576-MC	5/16-18 X 3/8 SHCS S/S	6



NOTES:

		<b>UNLESS OTHERWISE SPECIFIED:</b> ALL DIMENSIONS ARE IN INCHES. DIMENSIONS IN [ ] ARE IN MM.		<b>RINGBROTHERS®</b> PROPRIETARY AND CONFIDENTIAL THE INFORMATION CONTAINED IN THIS DRAWING IS THE SOLE PROPERTY OF RINGBROTHERS. ANY REPRODUCTION IN PART OR AS A WHOLE WITHOUT THE WRITTEN PERMISSION OF RINGBROTHERS IS STRICTLY PROHIBITED.	
		MATERIAL:	FRACTIONS: +/- 1/16 DECIMALS: .X +/- .05 .XX +/- .002 .XXX +/- .005 Angles: MACHINED OTHER: +/- .5° CONCENTRICITY: .010 BREAK CORNERS: .015-.030 FILLET RADII: .030-.060 SURFACE FINISH: 125 RMS		
MC: McMASTER-CARR FA- FASTENAL		eSIGNATURES ON FILE		SCALE: NTS WEIGHT: NTS SHEET 1 OF 1 3RD ANGLE PROJECTION	WWW.RINGBROTHERS.COM