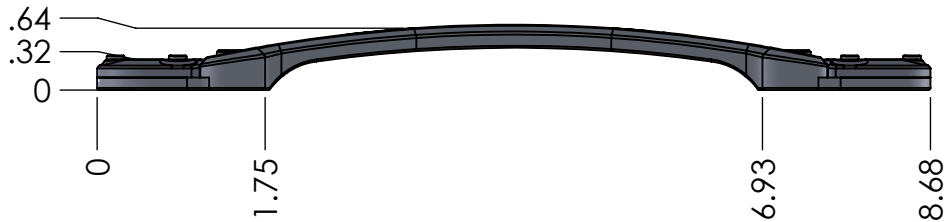
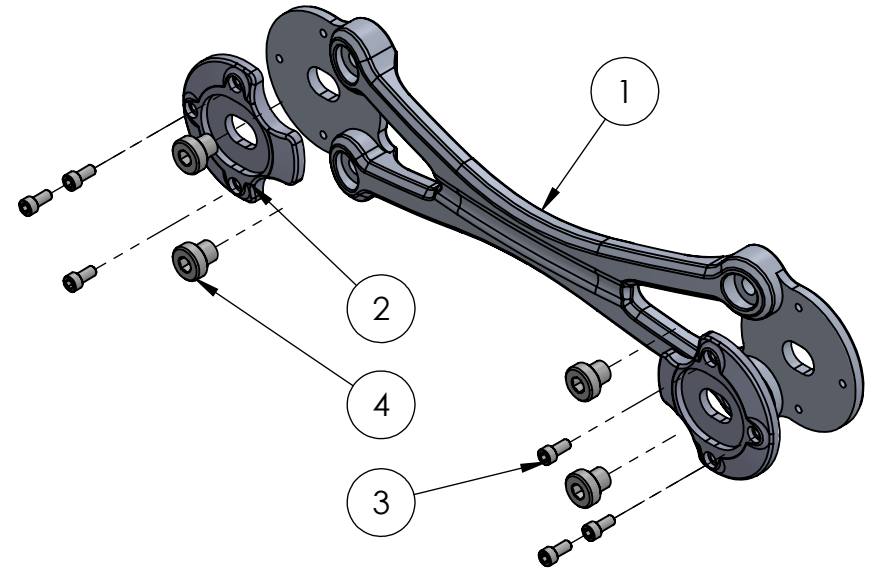
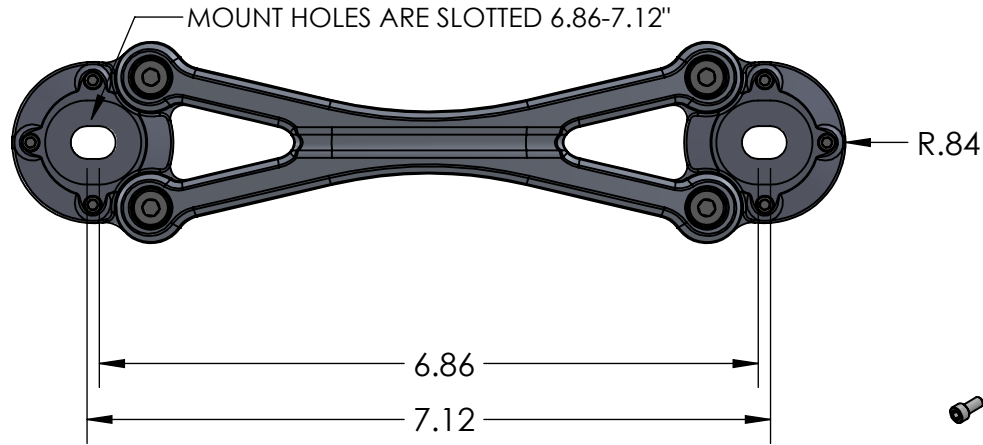



ITEM NO.	PART NUMBER	DESCRIPTION	QTY.
1	9016-001-U	TIE-DOWN	1
2	9016-002-U	WASHER	2
ASSEMBLY HARDWARE			
3	92196A106-MC	4-40 X 1/4 SHCS	6
4	92855A604-MC	M6-6MM LH SHCS	4
HARDWARE KIT			
5	99000-5098G	5/16-18 WASHER & BOLT	4



NOTES:

		RINGBROTHERS®	
		9016-000-U	
<small>UNLESS OTHERWISE SPECIFIED: ALL DIMENSIONS ARE IN INCHES. DIMENSIONS IN [] ARE IN MM.</small>		<small>PROPRIETARY AND CONFIDENTIAL THE INFORMATION CONTAINED IN THIS DRAWING IS THE SOLE PROPERTY OF RINGBROTHERS. ANY REPRODUCTION IN PART OR AS A WHOLE WITHOUT THE WRITER'S PERMISSION OF RINGBROTHERS IS STRICTLY PROHIBITED.</small>	
<small>MATERIAL:</small> IN: McMASTER-CARR FA - FASTENAL		<small>FRACCTIONS:</small> +/- 1/16 <small>DECIMALS:</small> X +/- .05 XX +/- .02 XXX +/- .005 <small>ANGLE:</small> MACHINED <small>CHISEL:</small> +/- .015 <small>CONCENTRICITY:</small> .010 <small>BREAK CORNERS:</small> .015-.030 <small>FILLET RADIUS:</small> .030-.060 <small>SURFACE FINISH:</small> 125 RMS	<small>DRAWN:</small> ISAAC GERBER <small>DATE:</small> 8/8/2019 <small>ENGR:</small> RYAN SCHWARTZ <small>DATE:</small> 4/3/2018 <small>PR MGR:</small> RYAN SCHWARTZ <small>DATE:</small> 4/3/2018
		<small>SIZE:</small> A <small>SCALE:</small> NTS	<small>DWG. NO.:</small> UNIVERSAL TRUCK TIE DOWN <small>WEIGHT:</small> 3.9LBS <small>SHEET 1 OF 1</small> <small>3RD ANGLE PROJECTION</small>
		<small>WWW.RINGBROTHERS.COM</small>	