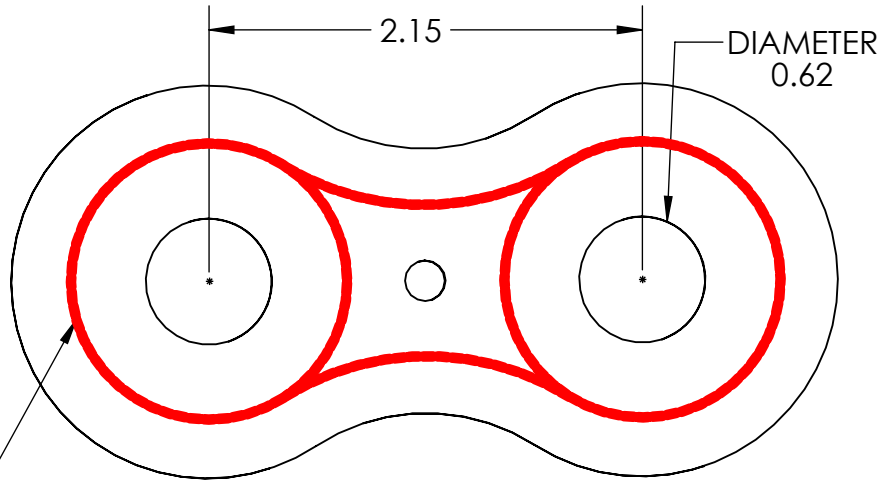


ITEM NO.	PART NUMBER	DESCRIPTION	QTY.
1	9009-001-U	BOTTOM PLATE	1
2	9009-002-U	TOP PLATE	1
ASSEMBLY HARDWARE			
3	9009-004-U	RED RECEPTACLE	1
4	9009-005-U	BLACK RECEPTACLE	1
5	94355A5480-MC	1/4-20 X 1 SETSCREW	1
6	90715A125-MC	1/4-20 LOCKNUT	1
7	90295A188-MC	.531 ID X 1.25 OD PLASTIC WASHER	2
8	92174A440-MC	1/2-20 BRASS NUT	2
9	96765A211-MC	.5 ID X 1 OD WASHER	2
10	92147A033-MC	.512 ID X .869 OD LOCK WASHER	2
11	90475A033-MC	1/2-20 THIN NUT	2
HARDWARE KIT			
12	9009-006-U	LUG	2
13	91737A123-MC	8-32 X 1/4 SCREW	2
14	93445A425-MC	1/4-20 X 3/8 SET SCREW	4



NOTES:
 USE RED DRAWING PROVIDED FOR A TEMPLATE. VERIFY THE DIMENSIONS AFTER PRINTING AND BEFORE CUTTING. (CUT THE RED DASHED LINES, DISREGARD BLACK LINES)
 RINGBROTHERS IS NOT LIABLE FOR ANY DAMAGES CAUSED DUE TO IMPROPER INSTALLATION.

		RINGBROTHERS®		9009-000-U			
		CHARGE PORT		A			
<small>UNLESS OTHERWISE SPECIFIED: ALL DIMENSIONS ARE IN INCHES. DIMENSIONS IN PARENS ARE IN MM.</small>		<small>PROPRIETARY AND CONFIDENTIAL THE INFORMATION CONTAINED IN THIS DRAWING IS THE SOLE PROPERTY OF RINGBROTHERS. ANY REPRODUCTION IN PART OR AS A WHOLE WITHOUT THE WRITTEN PERMISSION OF RINGBROTHERS IS STRICTLY PROHIBITED.</small>		<small>REV</small>			
<small>MATERIAL: FA - FASTNAL</small>		<small>FRACCTIONS: +/- 1/16 DECIMALS: .XX +/- .05 .XXX +/- .005 ANGLES: MACHINED CHISEL +/- .015 CONCENTRICITY: .010 BREAK CORNERS: .015-.030 FILLET RADII: .030-.060 SURFACE FINISH: 125 RMS</small>		<small>DRAWN: ISAAC GERBER DATE: 8/8/2019 RING: RYAN SCHWARTZ DATE: 4/3/2018 PR MGR: RYAN SCHWARTZ DATE: 4/3/2018</small>		<small>SCALE: NTS WEIGHT: 3.91LBS SHEET 1 OF 1 3RD ANGLE PROJECTION</small>	
		<small>©SIGNATURES ON FILE</small>		<small>WWW.RINGBROTHERS.COM</small>			