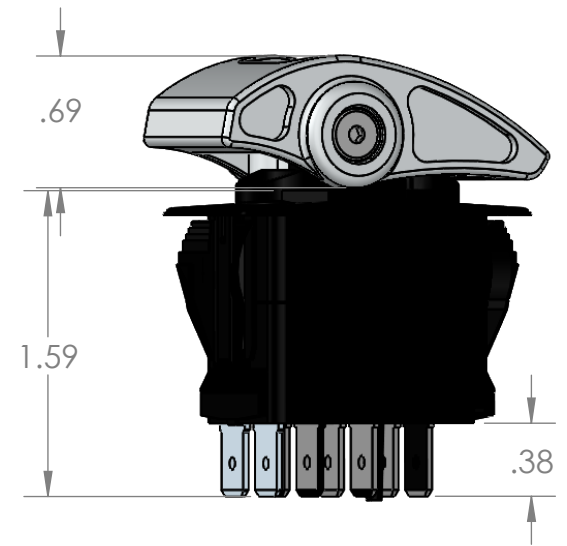
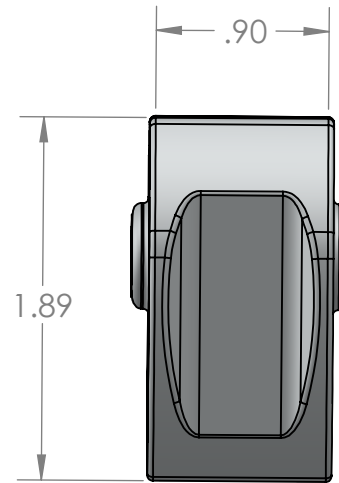
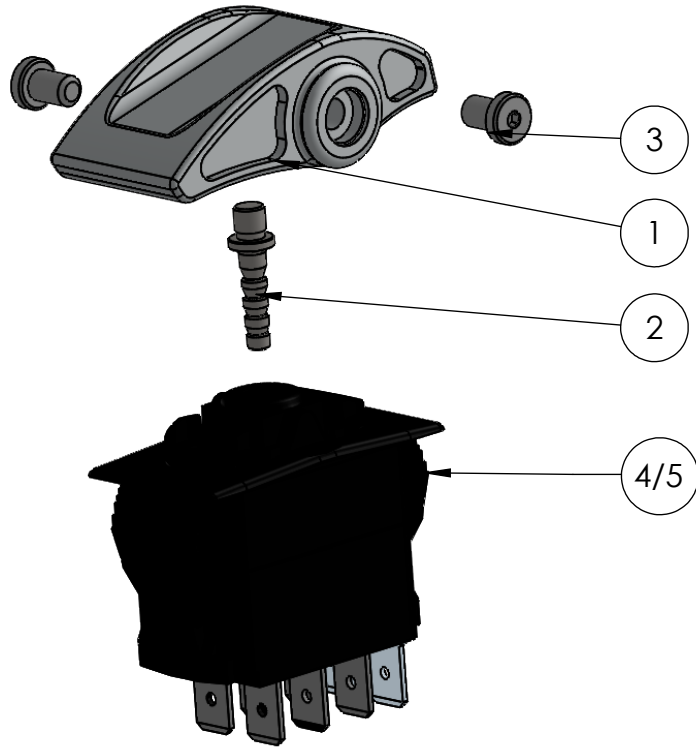



ITEM NO.	PART NUMBER	DESCRIPTION	QTY.
1	9013-001-U	MILLED SWITCH	1
2	9012-002-U	TOGGLE POST	1
3	93615A317-MC	8-32 X 1/4 LP SHCS	2
OPTIONAL (ONE OR THE OTHER)			
4	44324-WAYTEK	MOMENTARY ON-OFF-ON	1
5	44305-WAYTEK	ON-OFF W/ LIGHT	1



NOTES:

		RINGBROTHERS®	
		9013-000-U	
<small>UNLESS OTHERWISE SPECIFIED: ALL DIMENSIONS ARE IN INCHES. DIMENSIONS IN PARENS ARE IN MM.</small>		<small>PROPRIETARY AND CONFIDENTIAL THE INFORMATION CONTAINED IN THIS DRAWING IS THE SOLE PROPERTY OF RINGBROTHERS. ANY REPRODUCTION IN PART OR AS A WHOLE WITHOUT THE WRITTEN PERMISSION OF RINGBROTHERS IS STRICTLY PROHIBITED.</small>	
<small>MATERIAL:</small> <small>FR A - FASTENAL</small>		<small>ROCKER SWITCH</small>	
<small>FR A - FASTENAL</small>		<small>SCALE: NTS</small>	
<small>FR A - FASTENAL</small>		<small>WEIGHT: 3.91BS</small>	
<small>FR A - FASTENAL</small>		<small>SHEET 1 OF 1</small>	
<small>FR A - FASTENAL</small>		<small>3RD ANGLE PROJECTION</small>	
<small>FR A - FASTENAL</small>		<small>WWW.RINGBROTHERS.COM</small>	