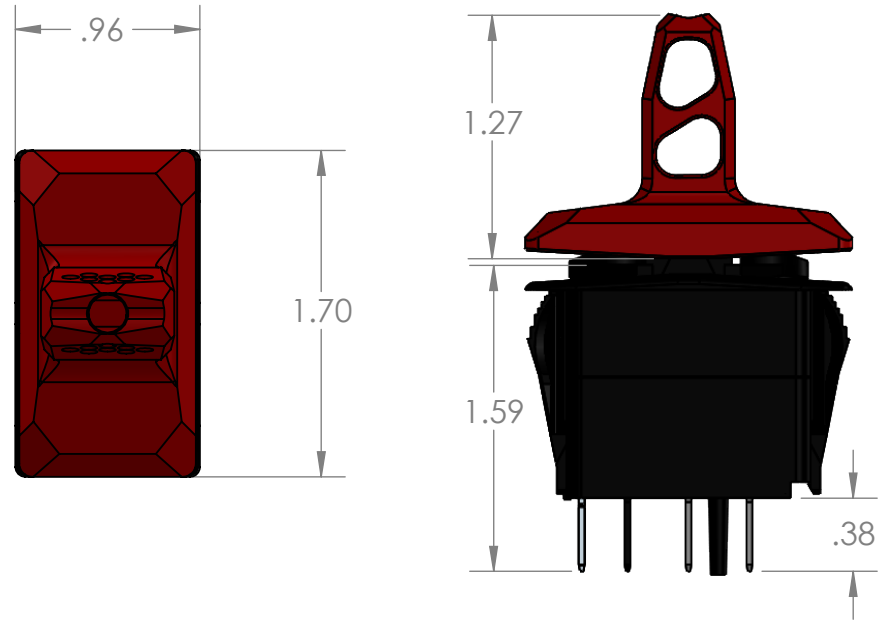
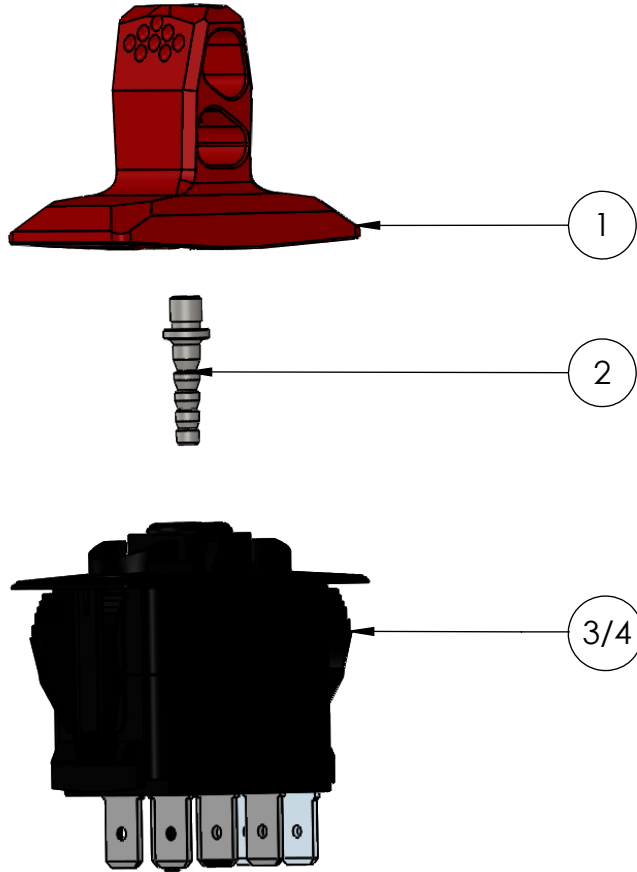



ITEM NO.	PART NUMBER	DESCRIPTION	QTY.
1	9012-001-U	MILLED SWITCH	1
2	9012-002-U	TOGGLE POST	1
OPTIONAL (ONE OR THE OTHER)			
3	44324-WAYTEK	MOMENTARY ON-OFF-ON	1
4	44305-WAYTEK	ON-OFF W/ LIGHT	1



NOTES:

		UNLESS OTHERWISE SPECIFIED:		RINGBROTHERS®			
		ALL DIMENSIONS ARE IN INCHES. DIMENSIONS IN [] ARE IN MM.		<small>PROPRIETARY AND CONFIDENTIAL</small> THE INFORMATION CONTAINED IN THIS DRAWING IS THE SOLE PROPERTY OF RINGBROTHERS. ANY REPRODUCTION IN PART OR AS A WHOLE WITHOUT THE WRITTEN PERMISSION OF RINGBROTHERS IS STRICTLY PROHIBITED.			
MATERIAL: MC: McMASTER-CARR FA: FASTENAL	FRACTIONS: +/- 1/16 DECIMALS: .XX +/- .05 .XXX +/- .005 ANGLES: MACHINED .010 OTHER: +/- .01 CONCENTRICITY: .010 BREAK CORNERS: .015-.030 FILLET RADIUS: .030-.060 SURFACE FINISH: 125 RMS	DRAWN: ISAAC GERBER RING: RYAN SCHWARTZ PR MGR: RYAN SCHWARTZ	DATE: 8/8/2019 DATE: 4/3/2018 DATE: 4/3/2018	SIZE: A SCALE: NTS	DWG. NO.: 9012-000-U COMP. SWITCH	REV: A SHEET 1 OF 1	3RD ANGLE PROJECTION WWW.RINGBROTHERS.COM
	©SIGNATURES ON FILE		WEIGHT: 3.91LBS		SHEET 1 OF 1		3RD ANGLE PROJECTION