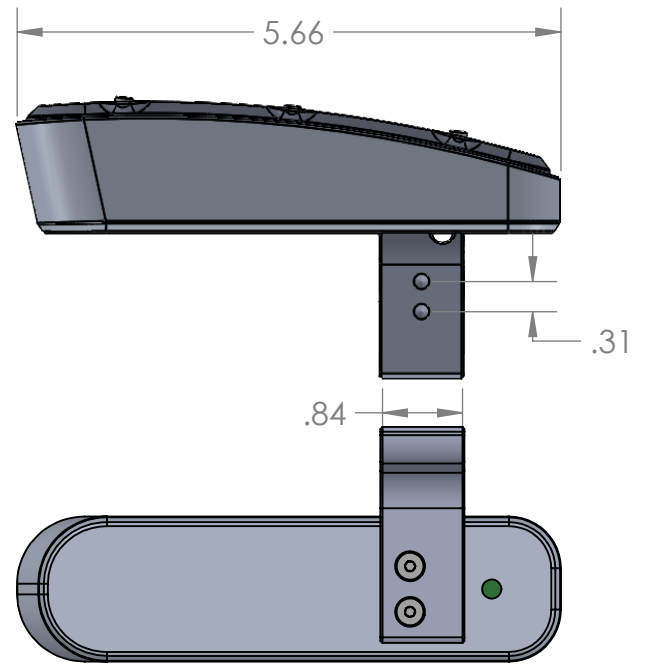
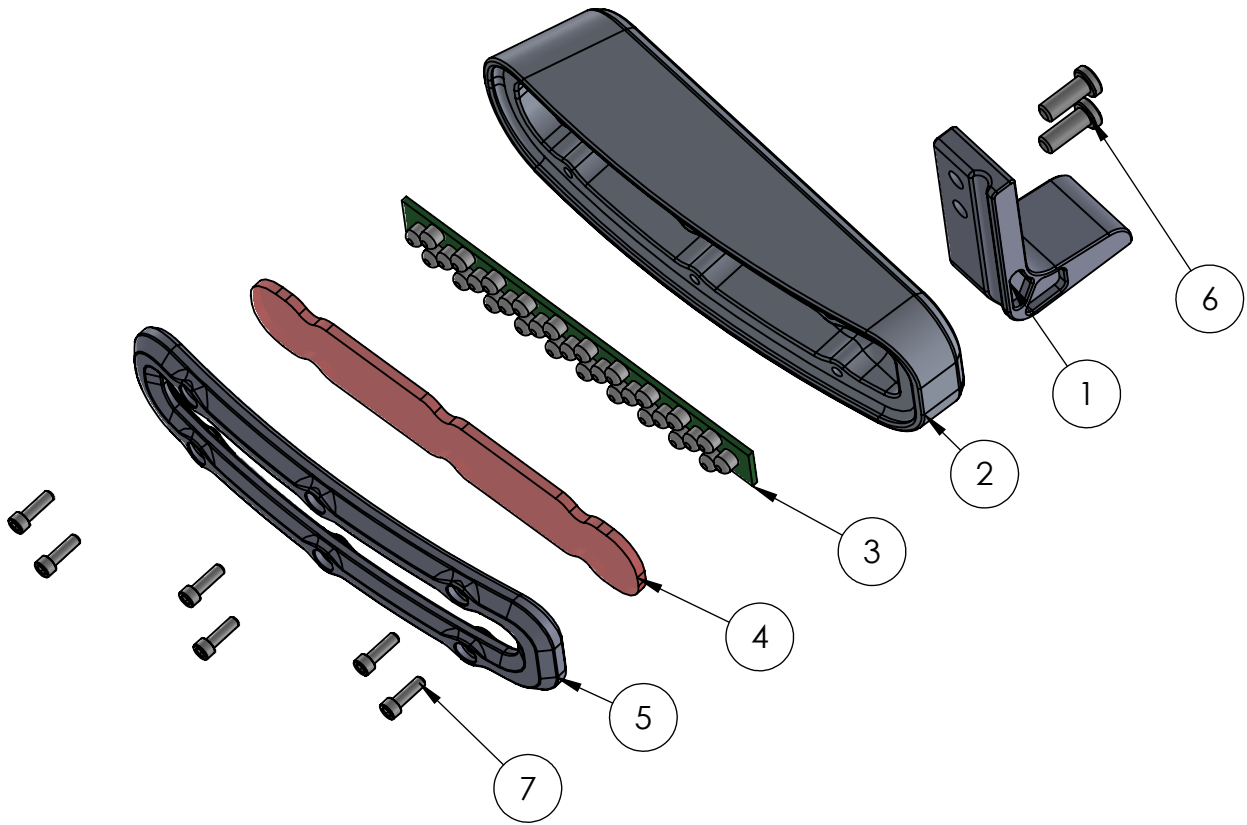



ITEM NO.	PART NUMBER	DESCRIPTION	QTY.
1	9006-001-D	L-BRACKET	1
2	9006-002-D	LIGHT BUCKET	1
3	9006-003-U	LED LIGHT STRIP	1
4	9006-004-U	LENS	1
5	9006-005-D	LENS COVER	1
ASSEMBLY HARDWARE			
6	93615A380-MC	10-32 X 1/2 LPSHCS S/S18-8	2
7	92196A108-MC	4-40 X 3/8 SHCS	6
HARDWARE KIT			
8	90128A942-MC	10-32 X 1/2 SHCS	4



NOTES:

		UNLESS OTHERWISE SPECIFIED:		RINGBROTHERS®			
		ALL DIMENSIONS ARE IN INCHES. DIMENSIONS IN [] ARE IN MM.		<small>THE INFORMATION CONTAINED IN THIS DRAWING IS THE SOLE PROPERTY OF RINGBROTHERS. ANY REPRODUCTION IN PART OR AS A WHOLE WITHOUT THE WRITTEN PERMISSION OF RINGBROTHERS IS STRICTLY PROHIBITED.</small>			
MATERIAL: MC: McMASTER-CARR FA: FASTENAL	FRACTIONS:	±1/16	PROPRIETARY AND CONFIDENTIAL	9006-000-U		REV	
	DECIMALS:	.XX ±0.05 .XXX ±0.002 XXX ±0.005	DATE: 8/8/2019	SIZE	DWG. NO.		
	ANGLE:	MACHINED OTHER:	DATE: 4/3/2018	A	UNIVERSAL TURN INDICATOR	A	
	CONCENTRICITY:	±0.01	PR MGR: RYAN SCHWARTZ	SCALE: NTS	WEIGHT: 3.9LBS	SHEET 1 OF 1	3RD ANGLE PROJECTION
	BREAK CORNERS:	±015-.030	DATE: 4/3/2018				
	FILLET RADIUS:	±030-.040					
	SURFACE FINISH:	125 RMS					
eSIGNATURES ON FILE				WWW.RINGBROTHERS.COM			