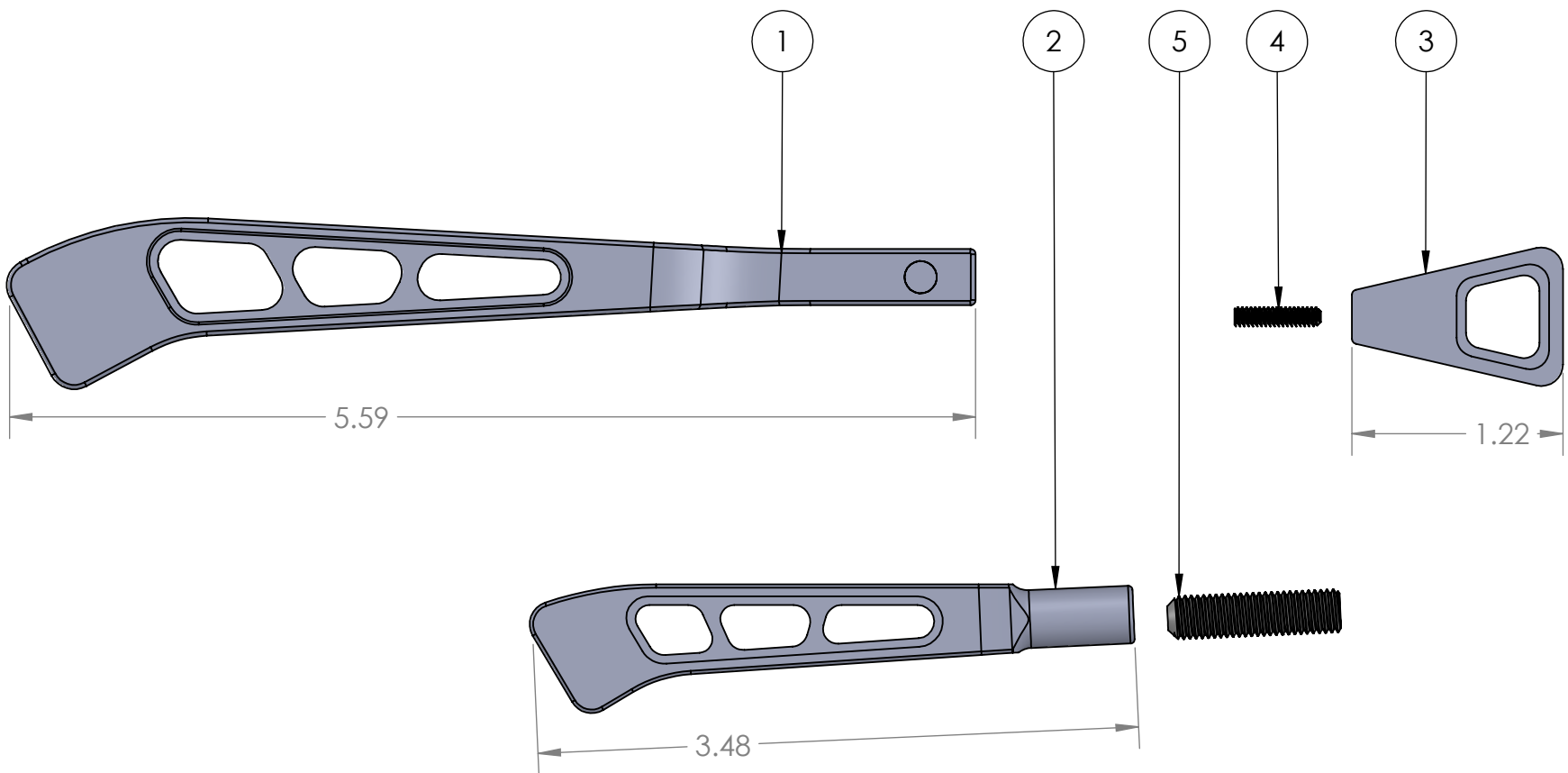



ITEM NO.	PART NUMBER	DESCRIPTION	QTY.
1	9001-001-U	BLINKER	1
2	9001-002-U	TILT	1
3	9001-003-U	BUTTON	1
HARDWARE KIT			
4	92311A110-MC	4-40 X 1/2 SET SCREW	1
5	92311A564-MC	1/4-28 X 1 SET SCREW	1



NOTES:

		RINGBROTHERS®			
		9001-000-U			
<small>UNLESS OTHERWISE SPECIFIED: ALL DIMENSIONS ARE IN INCHES. DIMENSIONS IN [] ARE IN MM.</small>		<small>PROPRIETARY AND CONFIDENTIAL THE INFORMATION CONTAINED IN THIS DRAWING IS THE SOLE PROPERTY OF RINGBROTHERS. ANY REPRODUCTION IN PART OR AS A WHOLE WITHOUT THE WRITTEN PERMISSION OF RINGBROTHERS IS STRICTLY PROHIBITED.</small>		<small>REV</small> A	
<small>MATERIAL:</small> FA-FASTENAL		<small>FRACCTIONS:</small> +/- 1/16 <small>DECIMALS:</small> .XX +/- .05 <small>ANGLE:</small> MACHINED <small>CHISEL:</small> +/- .01 <small>CONCENTRICITY:</small> .010 <small>BREAK CORNERS:</small> .015-.030 <small>FILLET RADIUS:</small> .030-.060 <small>SURFACE FINISH:</small> 125 RMS		<small>DATE:</small> 8/8/2019 <small>DATE:</small> 4/3/2018 <small>DATE:</small> 4/3/2018	
<small>MC- McMASTER-CARR</small> <small>FA- FASTENAL</small>		<small>DRAWN:</small> ISAAC GERBER <small>ENGR:</small> RYAN SCHWARTZ <small>PR MGR:</small> RYAN SCHWARTZ		<small>SIZE</small> A <small>DWG. NO.</small> STEERING COLUMN LEVER KIT	
		<small>SCALE:</small> NTS		<small>WEIGHT:</small> 3.9LBS <small>SHEET 1 OF 1</small> <small>3RD ANGLE PROJECTION</small>	
		@SIGNATURES ON FILE		WWW.RINGBROTHERS.COM	