



RINGBROTHERS

---

E4829 Hwy 14 • Spring Green, WI 53588 • 608.588.7399 • [www.ringbrothers.com](http://www.ringbrothers.com) • [marissa@ringbrothers.com](mailto:marissa@ringbrothers.com)

## Rectangular Billet Mirror Kit

Part # 92000-2200

### Kit Includes:

- 2 Mirrors
- 4 10-24 X 1 SHCS S/S 18-8
- 2 Mounting Plate Gaskets
- 2 Red Tabs

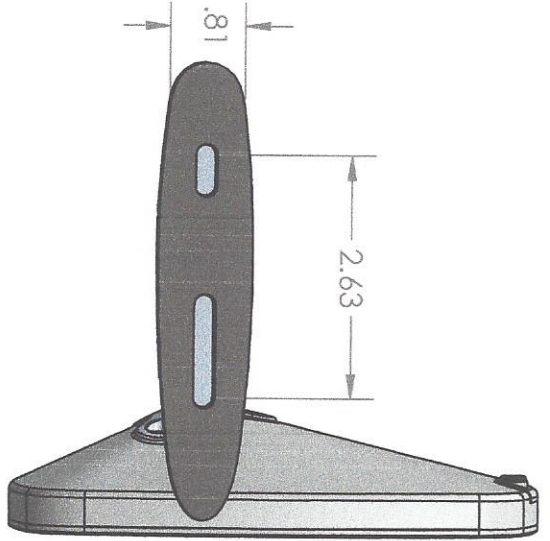
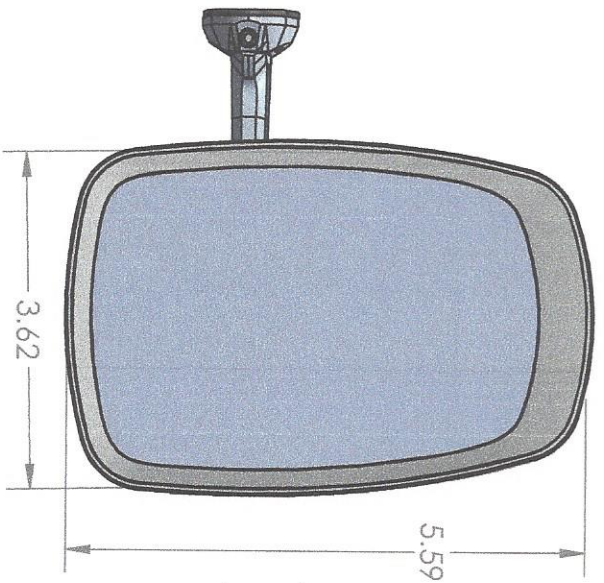
### Installation Instructions:

Remove existing mirror, line gasket and base plate up with existing holes. Attach to door using the 10-24 x 1 SHCS S/S 18-8 bolts into mirror base threads.

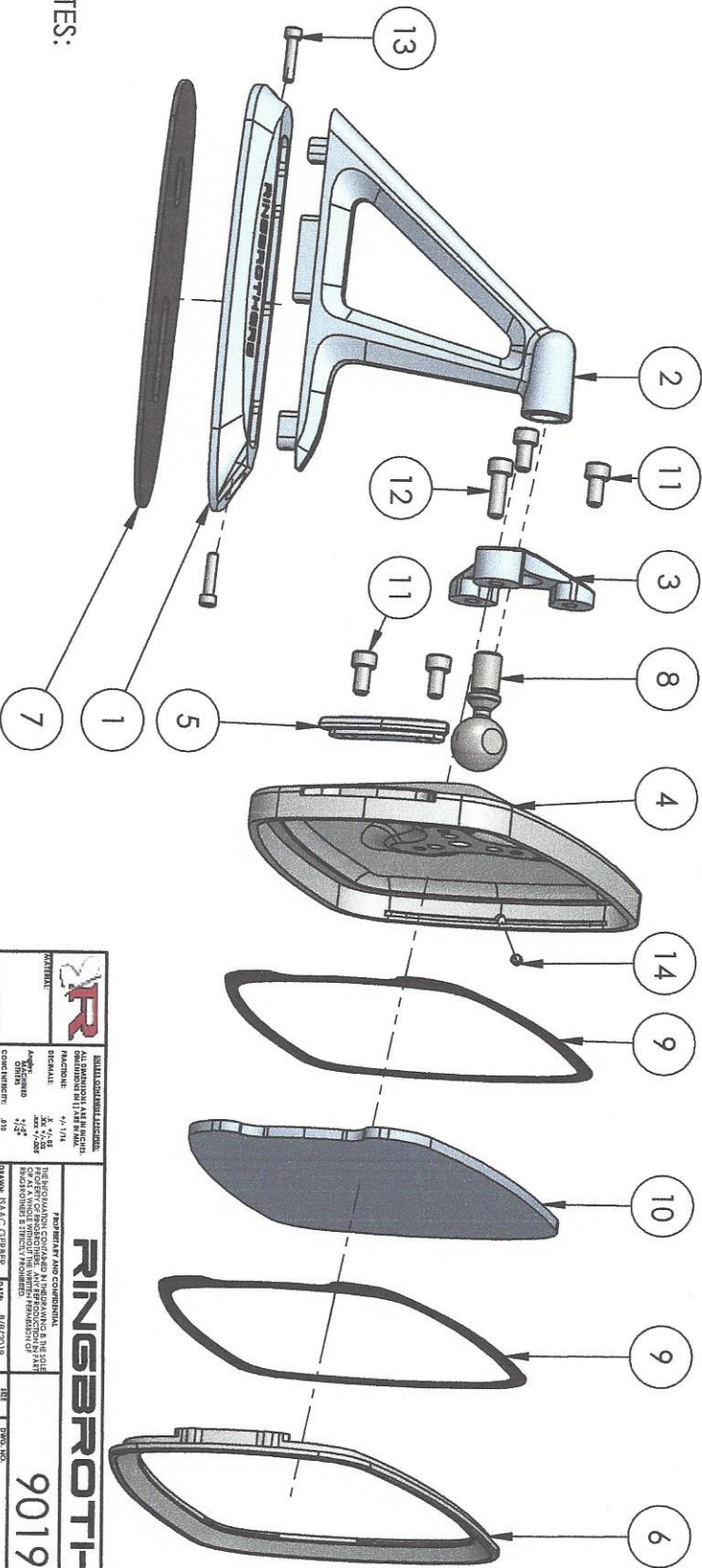
If you'd like to paint these mirrors carefully remove the set screw and slide of the face plate. We do not recommend this as the glass may shatter. Taping off the glass would be the recommended way. We can not guarantee the mirror will not be damaged when disassembling which would void the warranty.

These mirrors were designed to replace stock existing mirrors. If you have any questions feel free to call us anytime M-F 8am-5pm cst. 608-588-7399.

---



ITEM NO.	PART NUMBER	DESCRIPTION	QTY.
1	9018-005-F	BASE	1
2	9018-006-F	ARM	1
3	9019-001-U	3-POINT SOCKET	1
4	9019-002-U	CUP	1
5	9019-003-U	GLASS LOCK	1
6	9019-006-U	TRIM	1
ASSEMBLY HARDWARE			
7	9018-001-U	RUBBER GASKET	1
8	9018-007-U	BALL STUD	1
9	9019-004-U	MIRROR GASKET	2
10	9019-005-U	GLASS	1
11	92196A191-MC	8-32 X 5/16 SHCS S/S	4
12	92196A194-MC	8-32 X 1/2 SHCS S/S/18-8	1
13	92196A110-MC	4-40 X 1/2 SHCS S/S	2
14	92785A110-MC	4-40 X 1/8 CONE-POINT SS S/S	1
HARDWARE KIT			
15	92196A247-MC	10-24 X 1 SHCS S/S/18-8	4



NOTES:

<b>R</b>		<b>R</b>	
ALL DIMENSIONS IN INCHES UNLESS OTHERWISE SPECIFIED	ALL DIMENSIONS IN MILLIMETERS UNLESS OTHERWISE SPECIFIED	<b>RINGSBROTHERS</b>	
FORM: 3/18	DATE: 8/6/2019	9019-000-F	
DATE: 8/6/2019	SCALE: 1/16"	SQUARE FIXED MIRROR	
DATE: 1/15/2019	SCALE: 1/16"	SHEET: 02 OF 1	
DATE: 1/15/2019	SCALE: 1/16"	2ND ANNOT. PRODUCTION	
DATE: 1/15/2019	SCALE: 1/16"	WWW.RINGSBROTHERS.COM	