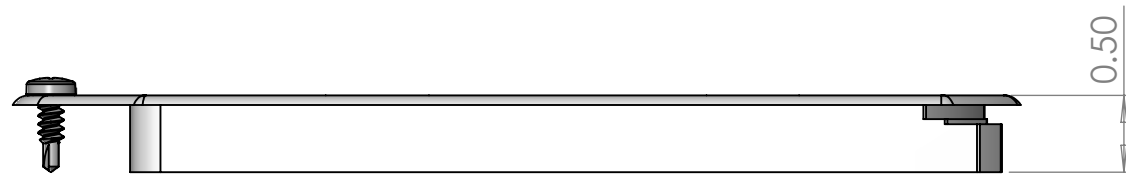
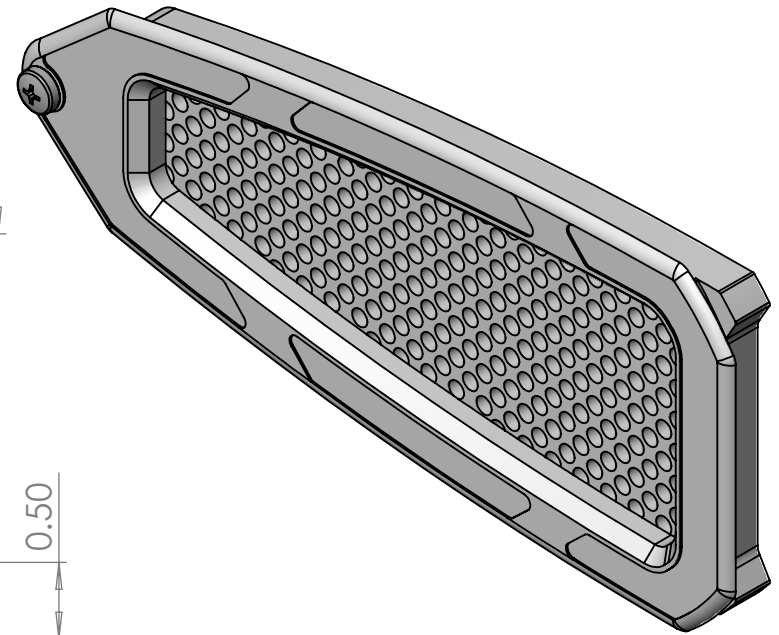
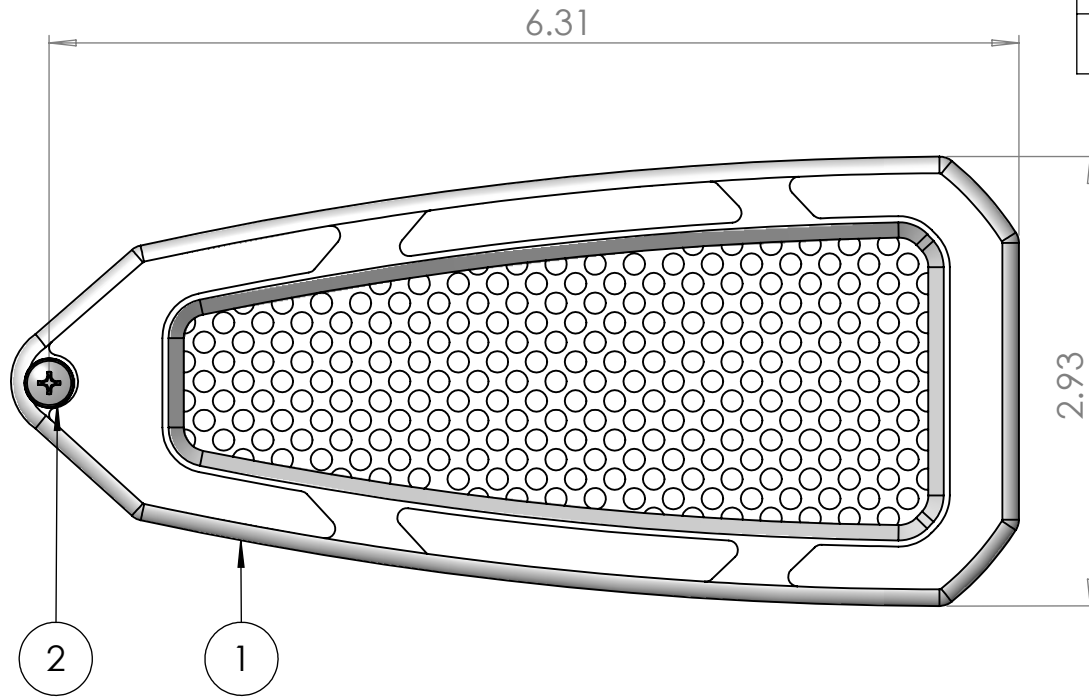



ITEM NO.	PART NUMBER	DESCRIPTION	QTY.
1	9023-001-U	VENT	1
HARDWARE KIT			
2	94060A194-MC	#8 X 1/2 BUTTON HEAD TAPPING SCREW	2



NOTES:

		RINGBROTHERS®	
		9023-000-U	
<small>UNLESS OTHERWISE SPECIFIED: ALL DIMENSIONS ARE IN INCHES. DIMENSIONS IN PARENS ARE IN MM.</small>		<small>PROPRIETARY AND CONFIDENTIAL</small> <small>THE INFORMATION CONTAINED IN THIS DRAWING IS THE SOLE PROPERTY OF RINGBROTHERS. ANY REPRODUCTION IN PART OR AS A WHOLE WITHOUT THE WRITTEN PERMISSION OF RINGBROTHERS IS STRICTLY PROHIBITED.</small>	
		<small>FRACCTIONS: +/- 1/16</small> <small>DECIMALS: .X +/- .05 .XX +/- .02 XXX +/- .005</small> <small>Angles: MACHINED OTHER: +/- .5° +/.2°</small> <small>CONCENTRICITY: .010</small> <small>BREAK CORNERS: .015-.030</small> <small>FILLET RADIUS: .030-.060</small> <small>SURFACE FINISH: 125 RMS</small>	
<small>MATERIAL:</small>		<small>DRAWN:</small> ISAAC GERBER <small>DATE:</small> 8/8/2019 <small>ENGR:</small> RYAN SCHWARTZ <small>DATE:</small> 2/20/2019	<small>SIZE</small> A <small>DWG. NO.</small> Door Jamb Vent <small>REV</small> A
<small>MC: McMASTER-CARR FA-FASTENAL</small>		<small>eSIGNATURES ON FILE</small>	
		<small>SCALE:</small> NTS <small>WEIGHT:</small> NTS <small>SHEET 1 OF 1</small> <small>3RD ANGLE PROJECTION</small>	<small>WWW.RINGBROTHERS.COM</small>